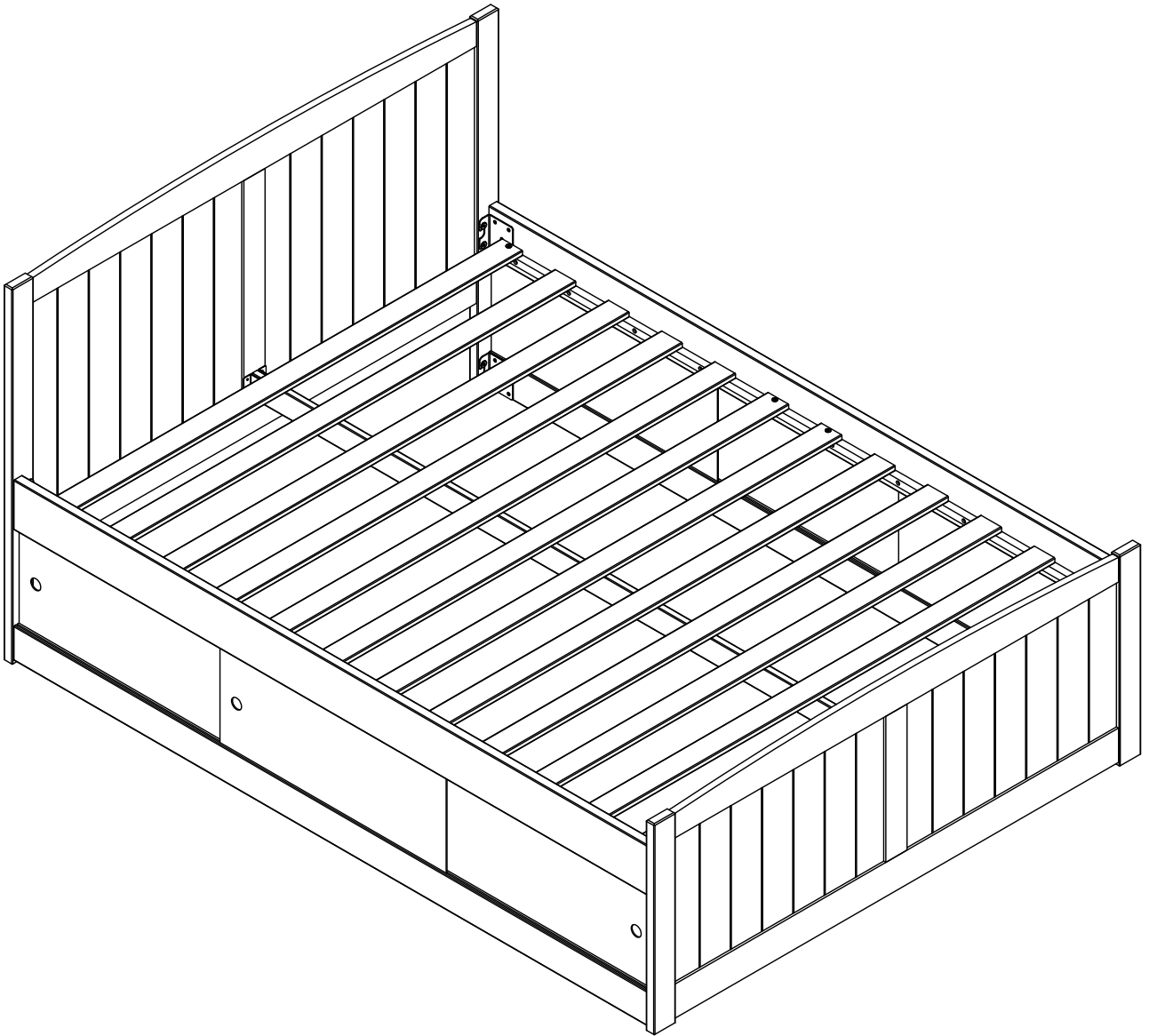


# ASSEMBLY INSTRUCTION

## MODEL : MAXI STORE 135CM BED




**WARNING !**

The packaging and contents can be a choking hazard, therefore keep them away from small children and babies as they may choke on them.



## Safe and Care Advice

### Important - Please read these instructions fully before starting assembly

- Check you have all the components and tools listed.
  - Remove all fittings from the plastic bags and separate them into their groups.
  - Keep children and animals away from the work area, small parts could choke if swallowed.
  - Make sure you have enough space to lay out the parts before starting.
  - Do not stand or put weight on the product, this could cause damage.
  - Assemble the item as close to its final position (in the same room) as possible.
  - Assemble on a soft level surface to avoid damaging the unit or your floor.
  - Parts of the assembly will be easier with 2 people.
- 
- We do not recommend the use of power drills/drivers for inserting screws as this could damage the unit. Only use hand screwdrivers.
  - Dispose all packaging carefully and responsibly.

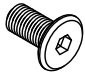
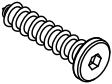

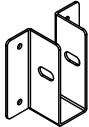
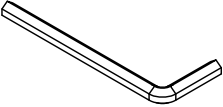
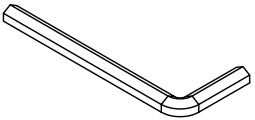
### Glue safety - Take care when using glue, please follow the advise below

- Skin contact :  
Remove contamination by washing with soap and water. This procedure should also be followed prior to eating and drinking.
- Eye contact :  
Rinse immediately with clean water for 15 minutes and seek medical advise.
- If swallowed :  
Seek medical advise immediately.

### Care and maintenance

- Only clean using a damp cloth and mild detergent, do not use bleach or abrasive cleaners.
- From time to time check that there are no loose screws on this unit.
- This product should not be discarded with household waste. Take to your local authority waste disposal center.

## HARDWARE LIST

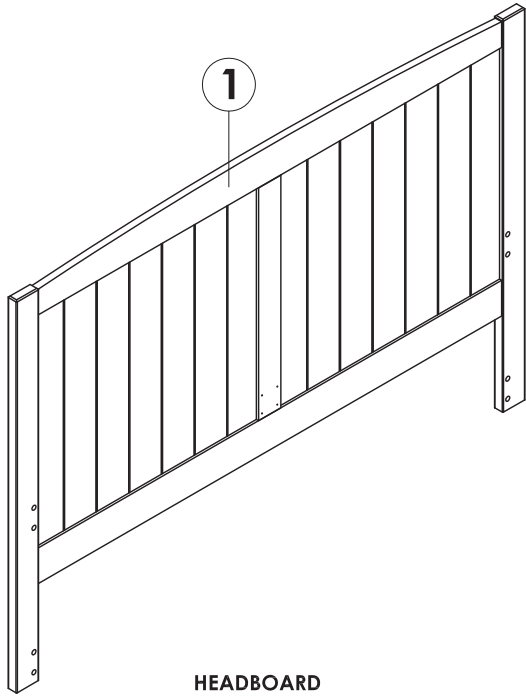
<b>A</b>  JCBB BOLT (M8 x 16MM) <b>16 PCS</b>	<b>B</b>  JCBC W SCREW (M7 x 32MM) <b>8 PCS</b>	<b>C</b>  CSK C/B SCREW (M3.5 x 16MM) <b>8 PCS</b>
<b>D</b>  ANGLE "U" BRACKET (L65 x W67 x T1.5MM) <b>2 PCS</b>	<b>E</b>  ALLEN KEY (M4 x 60MM) <b>1 PC</b>	<b>F</b>  ALLEN KEY (M5 x 60MM) <b>1 PC</b>



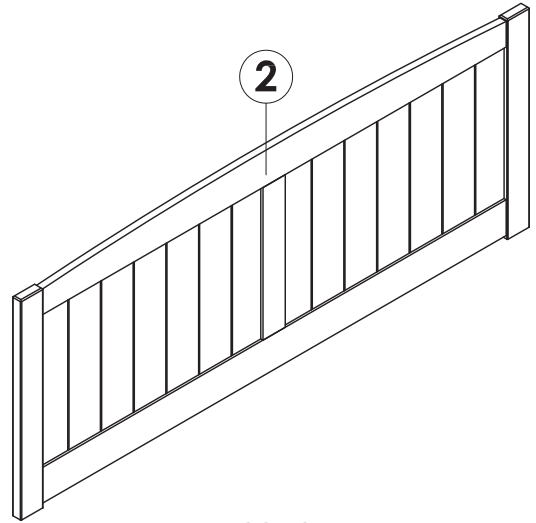
**Do not recommend the use of power drills/drivers for inserting bolts/screws as this could damage the unit.**

**Tools Required :**  
**Crosshead Screw Driver**

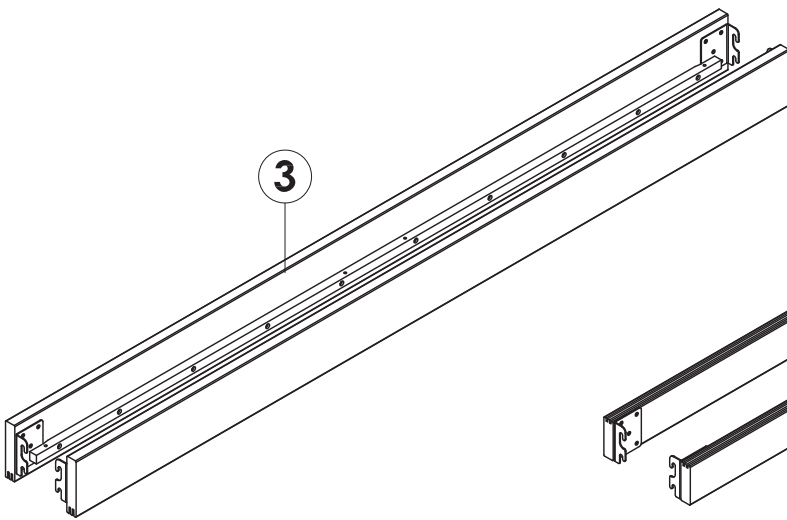
**PART LIST**



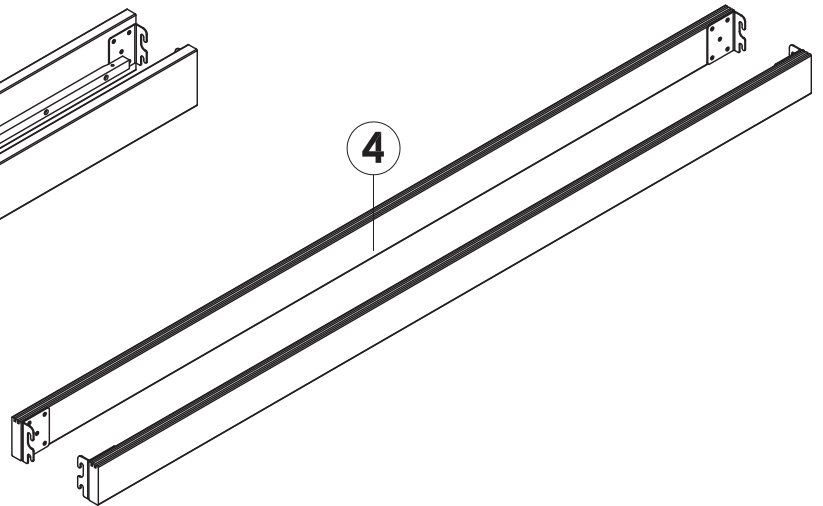
**1**  
**HEADBOARD**  
( 1 PC / SET )  
CARTON 1 OF 2



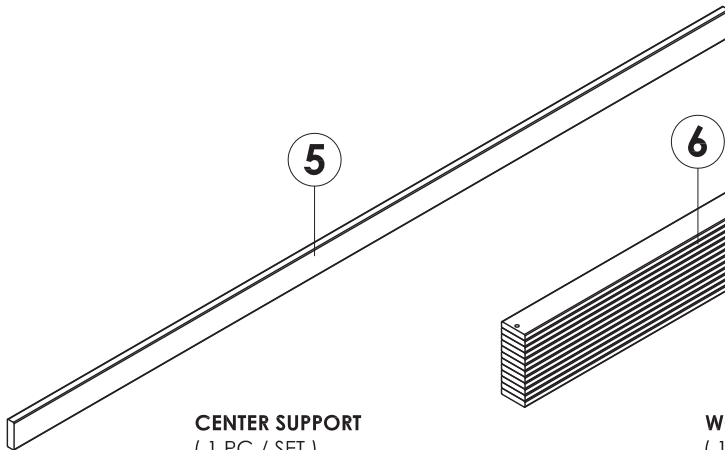
**2**  
**FOOTBOARD**  
( 1 PC / SET )  
CARTON 1 OF 2



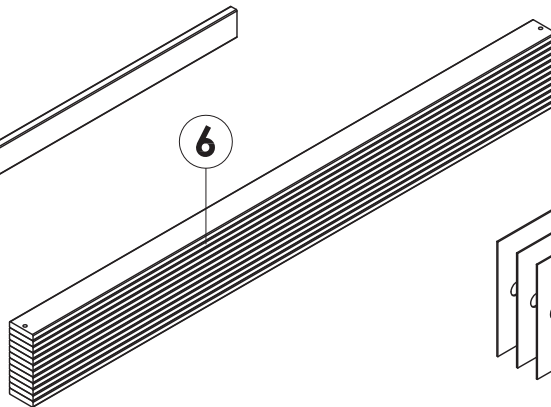
**3**  
**TOP SIDE RAIL**  
( 2 PCS / SET )  
CARTON 2 OF 2



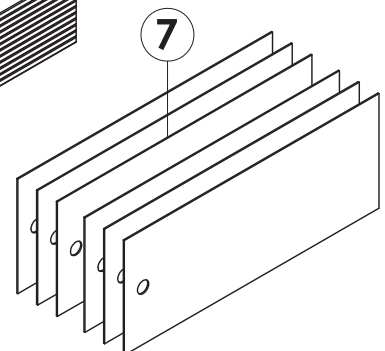
**4**  
**BOTTOM SIDE RAIL**  
( 2 PCS / SET )  
CARTON 2 OF 2



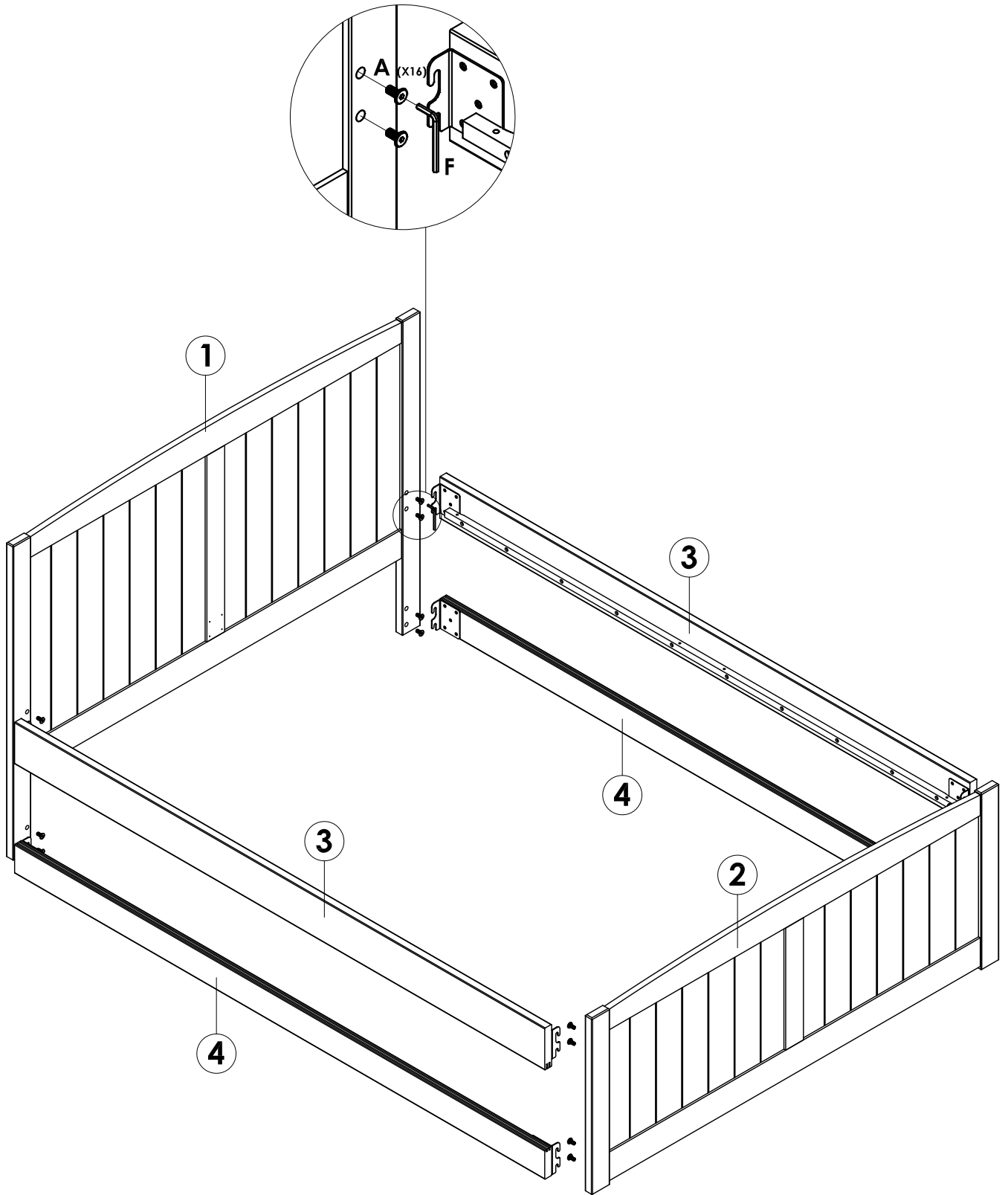
**5**  
**CENTER SUPPORT**  
( 1 PC / SET )  
CARTON 2 OF 2



**6**  
**WOODEN SLAT**  
( 12 PCS / SET )  
CARTON 1 OF 2

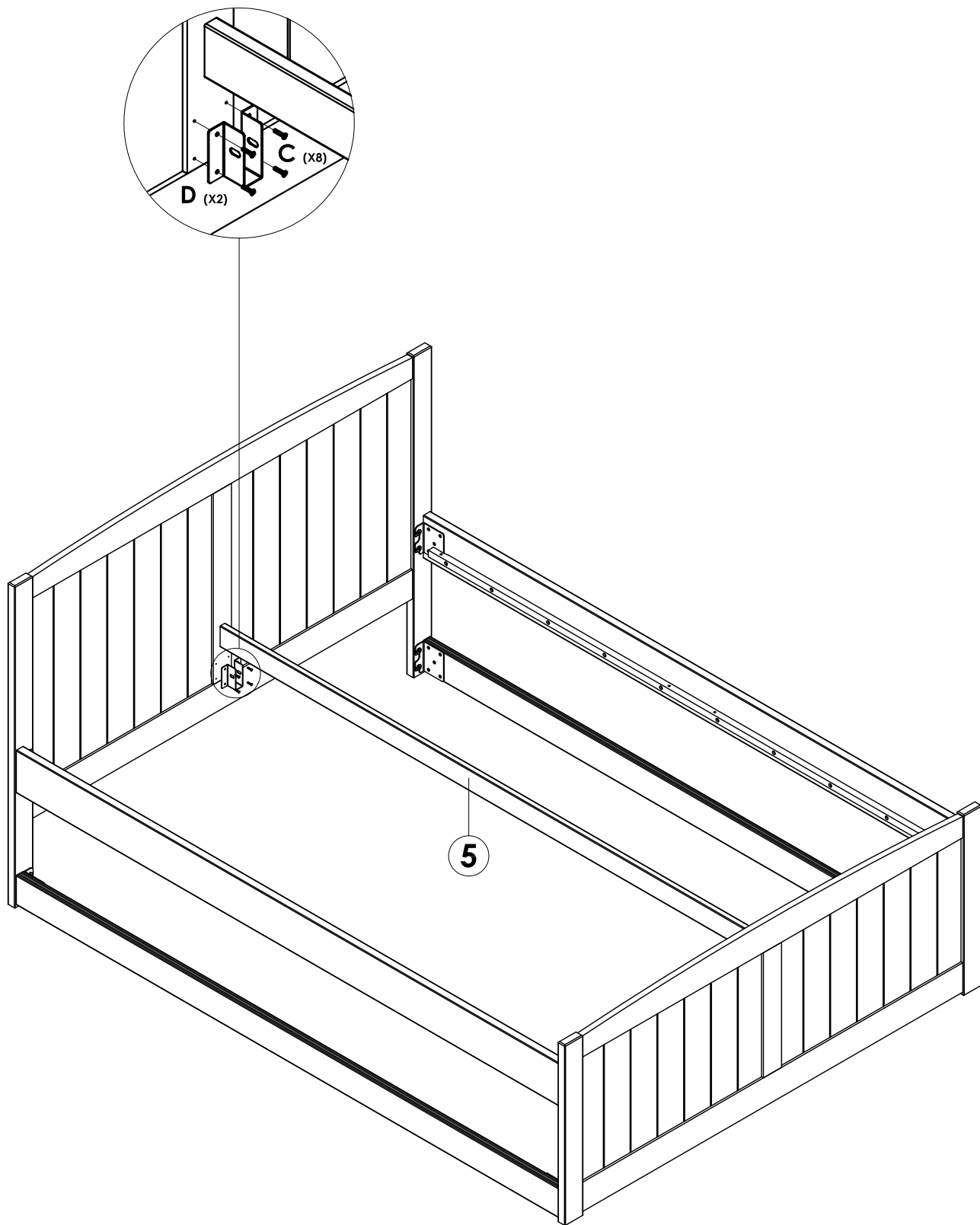


**7**  
**DOOR**  
( 6 PCS / SET )  
CARTON 1 OF 1



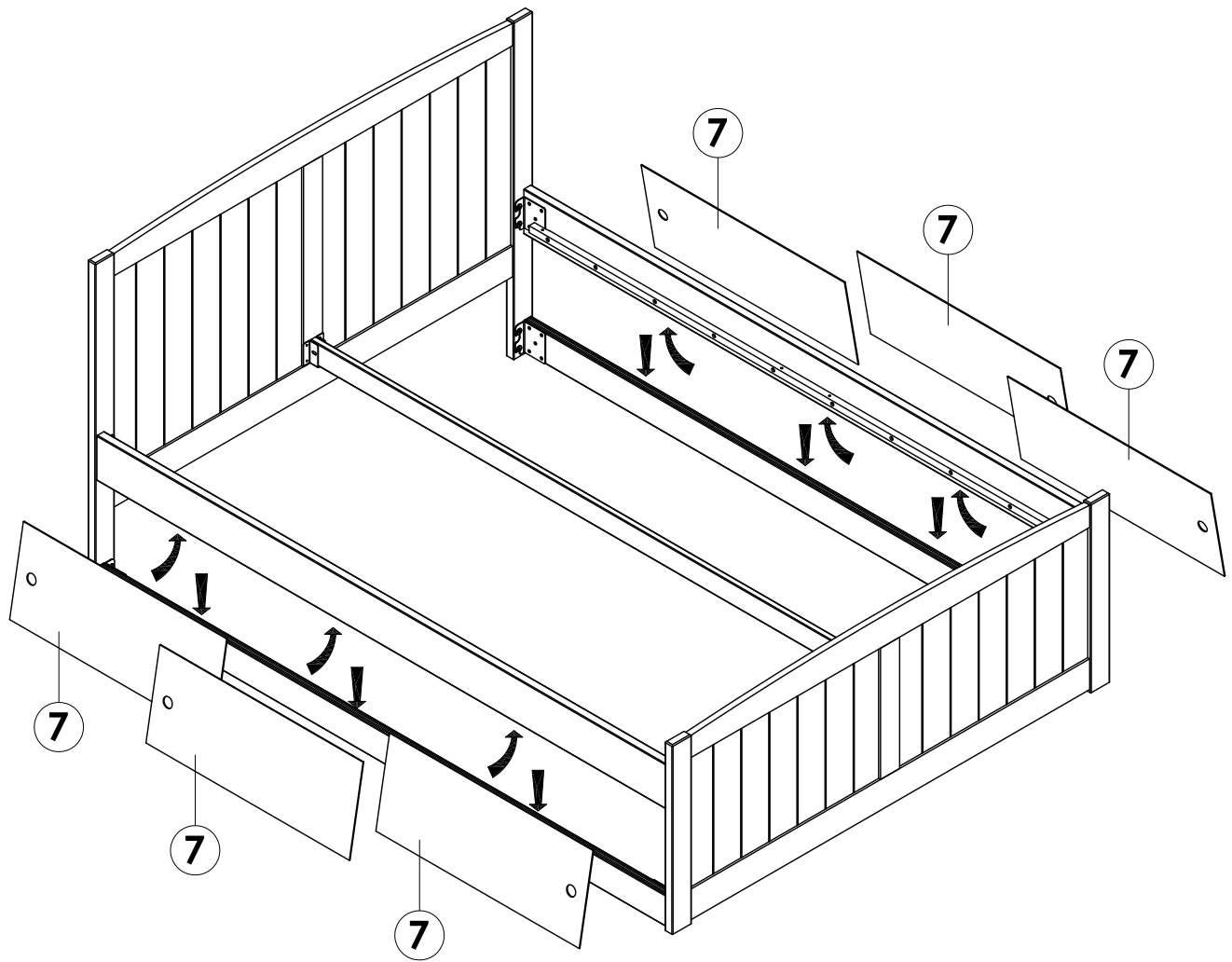
**STEP 1**

Attach and secure **Top Side Rail, Bottom Side Rail** onto **Headboard** and **Footboard** by using **(A)**, tighten it up by using **(F)**.



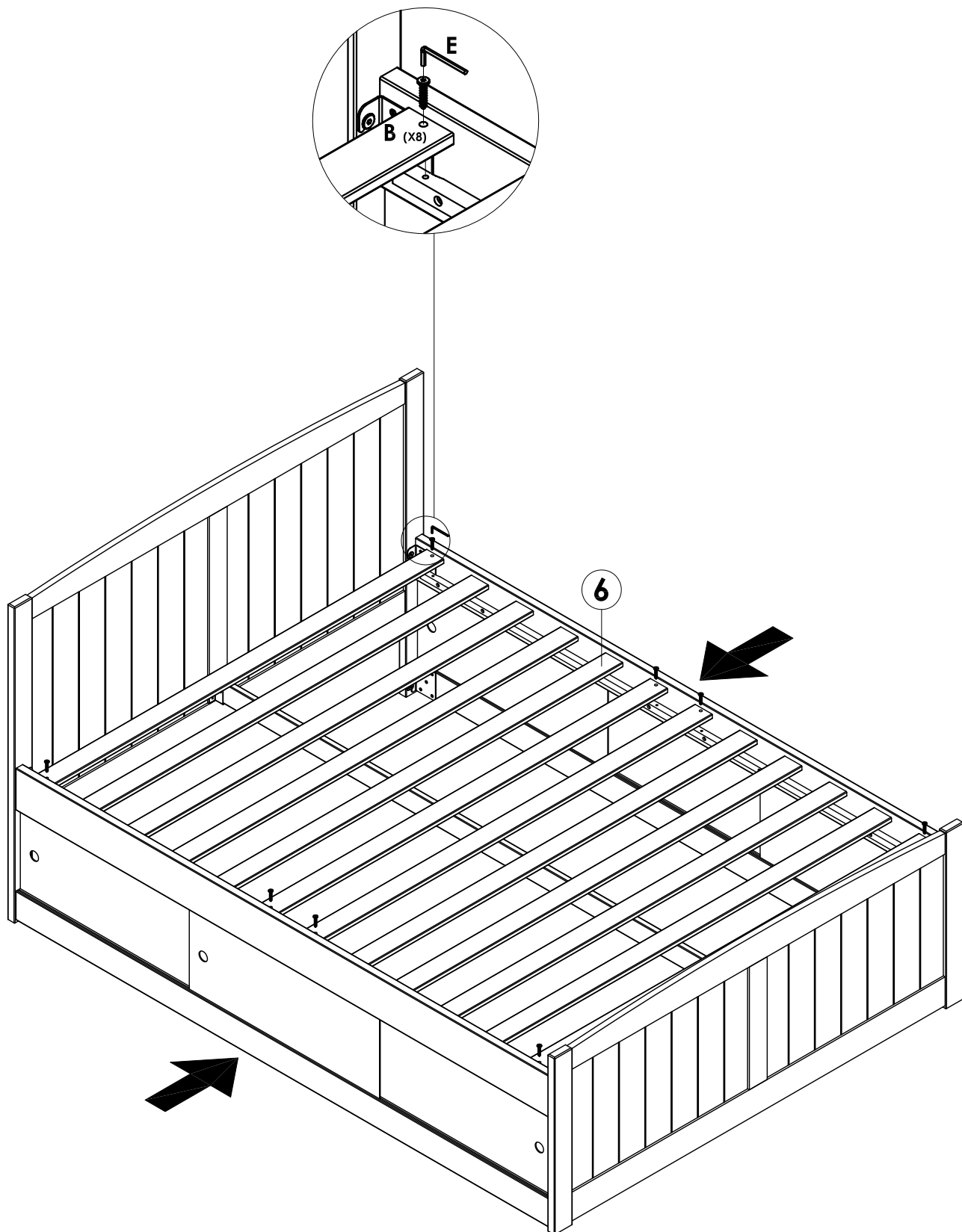
## STEP 2

Attach and secure **(D)** onto **Headboard** and **Footboard** by using **(C)**, tighten it up by using a crosshead screw driver. Go on to slot **Center Support** into **(D)**.



### STEP 3

Install the **doors** (Left & Right) First, install by inserting in the **Top Side Rail** inside track groove on an angle. Straighten the **doors** and lower it into the **Bottom Side Rail** inside track groove. After that insert the **door** (Center) inserting in the outside track groove with the same way.



#### **STEP 4**

Attach and secure **Wooden Slat** onto both **Top Side Rail** by using **(B)**, tighten it up by using **(E)**.

*\* Align both **Top Side Rail** before tightening the screws.*